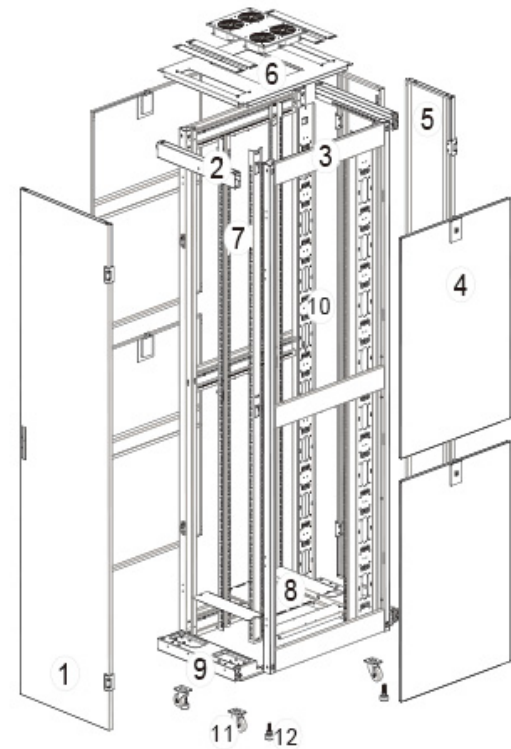


**DESCRIPTION**

The standard 19" cabinet, with eight screws to complete the assembly of the entire framework, and the maximum static load is up to 1300KG. The front and rear door with dual point locking design, 180 degree open bar vents steel front door, high-density double opened the back door of the wind steel plate, reaching the ventilation rate of 70%. Inlet cover of the top and bottom is size adjustable and slide design.

Fan unit from top to bottom are easy for maintenance. The internal set aside a dedicated channel alignment, the angle gauge quick-change design for the installation.



**STRUCTURE**

| No. | Component         |
|-----|-------------------|
| 1   | Front door        |
| 2   | Top beam          |
| 3   | Side frame        |
| 4   | Side panel        |
| 5   | Rear door         |
| 6   | Top cover         |
| 7   | 19" rails         |
| 8   | Bottom            |
| 9   | Plinth            |
| 10  | Cable Slot        |
| 11  | Heavy duty castor |
| 12  | Adjustable feet   |

**MAIN COMPONENTS**

| Name                   | QTY | Code  | Material   | Surface       |
|------------------------|-----|---|--|---------------|
| Front Door             | 1   | 1   | Tempered glass door with striped hole            | Powder Coated |
|                        |     | 5   | High-density single open vented door, SPCC 1.2mm |               |
| Rear Door              | 1   | 3   | Sheet steel door, SPCC 1.2mm                     |               |
|                        |     | 5   | High-density single open vented door, SPCC 1.2mm |               |
|                        |     | 6   | High-density double open vented door, SPCC 1.2mm |               |
| Top Beam               | 2   | SPCC (1.5mm)  |  |               |
| Side Panel             | 1   | SPCC (1.2mm)  |  |               |
| Side Frame             | 2   |   |  |               |
| Top Cover              | 1   |   |  |               |
| Bottom                 | 1   |   |  |               |
| Vertical Cable Manager | 2   | 600mm Width Adopted Cable Tie<br>800mm Adopted Cable Slot, SPCC (1.0mm) |  |               |
| 19" rails              | 4   | Galvanized coated (2.0mm)   |  | Zinc          |

**STANDARD ACCESSORIES**

|                                     |              |  |
|-------------------------------------|--------------|--|
| Locker                              | Front & Rear | Handle/Small lock                                    |
|                                     | Side         | Square panel lock                                    |
| Heavy Duty Castor & Adjustable Feet |              | Four M12 adjustable feet & four 2" heavy duty castor |
| Screw & Nuts                        |              | M6×12 Steel & Color zinc                             |
| Trox Tooling                        |              | Steel & Color zinc                                   |

OPTIONAL ACCESSORIES

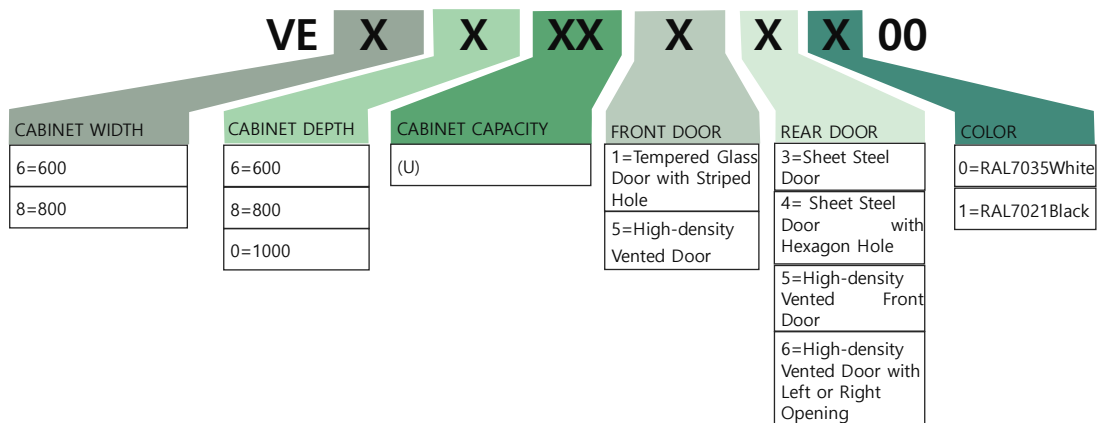
|                   |                                |
|-------------------|--------------------------------|
| Blanking Panel    | 1U, 2U, 3U, 4U                 |
| Ventilation Panel | 1U, 2U, 3U, 4U                 |
| Shelf             | Side installation              |
| Movable Shelf     | 19"                            |
| Keyboard Shelf    | 19"                            |
| Fixed Shelf       | Side installation              |
| Plinth            | Height with 100MM/200MM option |
| Temperature Unit  | 1 input, 2 output              |



PHYSICAL CHARACTERISTICS

| Part Name                         | Model                                |  |
|-----------------------------------|--------------------------------------|--|
| Raw Material                      | SPCC                                 |  |
| Cabinet Structure                 | Assembled frame structure            |  |
| Front Door Option                 | 1                                    | Stripes hole tempered glass door           |
|                                   | 5                                    | High density ventilation door              |
| Rear Door Option                  | 3                                    | Nonporous flat steel door                  |
|                                   | 4                                    | Hexagonal holes flat steel doors           |
|                                   | 5                                    | High-density double open ventilation doors |
| Side Panel                        | Powder coating, removable side panel |  |
| Maximum Static Load Capacity (KG) | 1300 KG                              |  |
| Ventilation Percentage            | High density ventilation door        | >70%                                       |
| 19" Profile                       | Galvanization                        |  |
| Surface Treatment                 | Powder coated                        |  |
| Max. Open Angel                   | 180 degree                           |  |
| Color                             | RAL7035; RAL7021                     |  |

NAME CODING



ORDERING INFORMATION AND COMPLIANCE

| Part No.          | Description                       |              | Compliance  |
|-------------------|-----------------------------------|--------------|---|
|                   | Dimension(Width × Depth × Height) | Capacity (U) |   |
| VE.6624. ■ ■. ■00 | 600×600×1200                      | 24           | ANSI/EIA RS-310-D<br>IEC60297-2<br>DIN41494 PART1<br>DIN41494 PART7 |
| VE.6827. ■ ■. ■00 | 600*800*1272                      | 27           |   |
| VE.6642. ■ ■. ■00 | 600×600×2000                      | 42           |   |
| VE.6824. ■ ■. ■00 | 600×800×1200                      | 24           |   |
| VE.6842. ■ ■. ■00 | 600×800×2000                      | 42           |   |
| VE.6024. ■ ■. ■00 | 600×1000×1200                     | 24           |   |
| VE.6042. ■ ■. ■00 | 600×1000×2000                     | 42           |   |
| VE.8842. ■ ■. ■00 | 800×800×2000                      | 42           |   |
| VE.8042. ■ ■. ■00 | 800×1000×2000                     | 42           |   |
| VE.8847. ■ ■. ■00 | 800×800×2223                      | 47           |   |
| VE.8047. ■ ■. ■00 | 800×1000×2223                     | 47           |   |
| VE.8247. ■ ■. ■00 | 800×1200×2223                     | 47           |   |

Note: Size and capacity can be customized