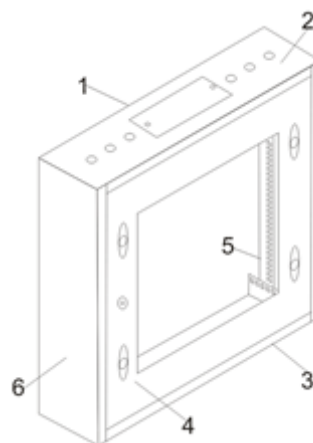


**DESCRIPTION**

The entire wall cabinet is bending frame, cabinet body opening direction can be quickly adjusted and automatically locked for safety and reliability. The size of the hole from the top, bottom, back into the line, the line can be adjusted into line hole. Edge design rounded edges to prevent cuts cable. The flushed type can be installed into the wall to save room and more safe.

**STRUCTURE**

No.	Component
1	Rear panel
2	Top cover
3	Bottom
4	Front door
5	19" rails
6	Side panel



**MAIN COMPONENTS**

Name	Quantity	Material	Surface
Front door	1	Tempered glass door, glass 4mm SPCC (1.0mm)	Powder Coated
Side panel	2	SPCC (1.0MM)	
Rear panel	1	SPCC (1.0MM)	
Top Cover	1		
Bottom	1		
19" rails	2	SPCC (1.5MM)	

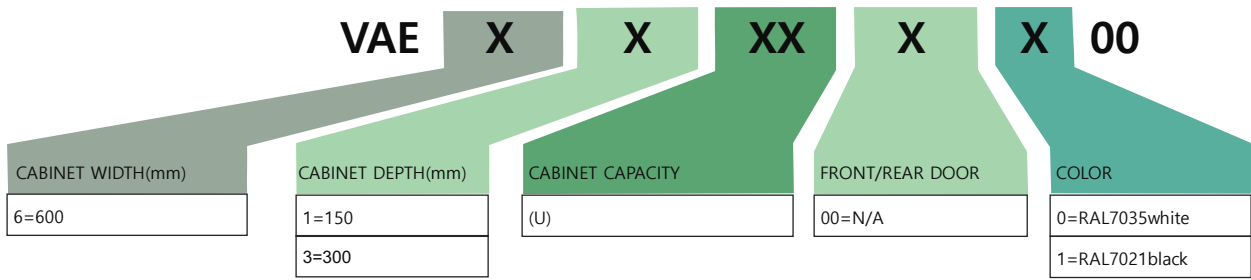
**STANDARD ACCESSORIES**

Locker	Small Round Lock
Screw& Nuts (10 sets)	M6×12 Steel surface with the blue and white zinc

**PHYSICAL CHARACTERISTICS**

Part Name	Model
Raw Material	SPCC
Cabinet Structure	Assembled frame structure
Front Door	Single-open tempered glass
Side Panel	Powder coated, side panel removable
Maximum Static Load Capacity (KG)	60KG
19" Profile	SPCC
Surface Treatment	Powder coated
Color	RAL7035; RAL7021

NAME CODING



ORDERING INFORMATION AND COMPLIANCE

Part No.	Description		Compliance
	Dimension(Width × Depth × Height)	Capacity (U)	
VAE.6112.01. ■00	600×150×593	12	ANSI/EIA RS-310-D IEC60297-2 DIN41494 PART1 DIN41494 PART7
VAE.6312.01. ■00	600×300×593		

Note: Size and capacity can be customized