

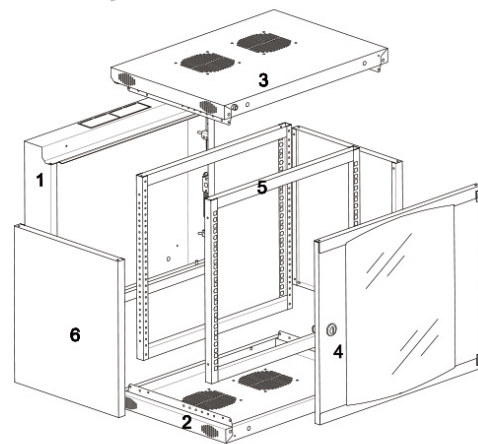
DESCRIPTION

Just 16 screws to complete the assembly of the entire wall cabinet, cabinet body opening direction can be quickly adjusted and automatically locked for safety and reliability. The size of the hole from the top, bottom, back into the line, the line can be adjusted into line hole. Edge design rounded edges to prevent cuts cable.



STRUCTURE

No.	Component
1	Side frame
2	Bottom frame
3	Top frame
4	Front door
5	19" rails
6	Side panel



MAIN COMPONENTS

Name	Quantity	Material	Surface
Front door	1	Tempered glass door, glass 4mm SPCC (1.0mm)	Powder Coated
Side panel	2	SPCC (1.0MM)	
Side frame	1	SPCC (1.0MM)	
Top frame	1		
Bottom frame	1		
19" rails	2	SPCC (1.5MM)	

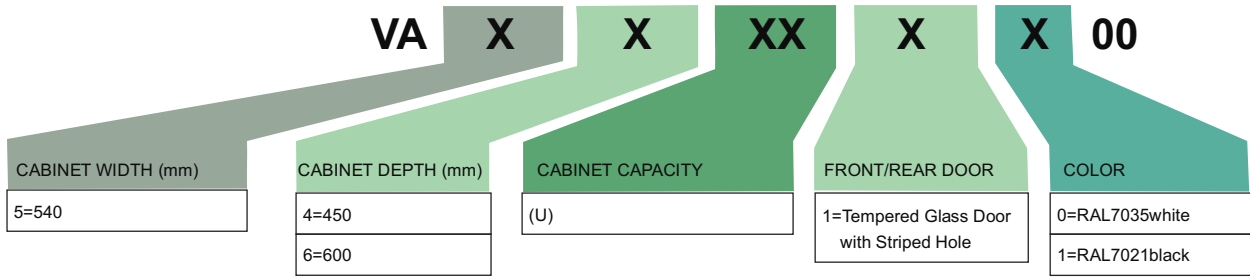
STANDARD ACCESSORIES

Locker	Small Round Lock
Screw& Nuts (10 sets)	M6x12 Steel surface with the blue and white zinc

PHYSICAL CHARACTERISTICS

Part Name	Model
Raw Material	SPCC
Cabinet Structure	Assembled frame structure
Front Door	Single-open tempered glass
Side Panel	Powder coated, side panel removable
Maximum Static Load Capacity (KG)	30KG
19" Profile	SPCC
Surface Treatment	Powder coated
Color	RAL7035; RAL7021

NAME CODING



ORDERING INFORMATION AND COMPLIANCE

Part No.	Description		Compliance
	Dimension(Width × Depth × Height)	Capacity (U)	
VA.5406.01. ■00	540×450×327	6	ANSI/EIA RS-310-D IEC60297-2 DIN41494 PART1 DIN41494 PART7
VA.5606.01. ■00	540×600×327		
VA.5409.01. ■00	540×450×460	9	
VA.5609.01. ■00	540×600×460		
VA.5412.01. ■00	540×450×593	12	
VA.5612.01. ■00	540×600×593		
VA.5415.01. ■00	540×450×726	15	
VA.5615.01. ■00	540×600×726		

Note: Size and capacity can be customized